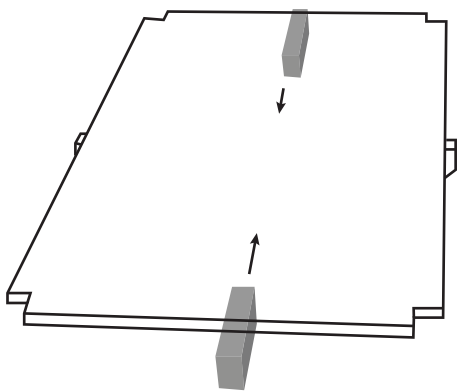


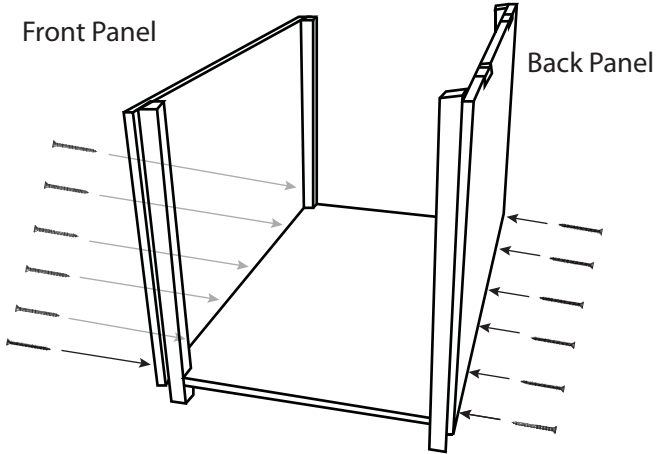
Step 1

Place 2 blocks under bottom of box. Make sure that half of the block is still exposed as you will be resting the side panels on them in later steps.



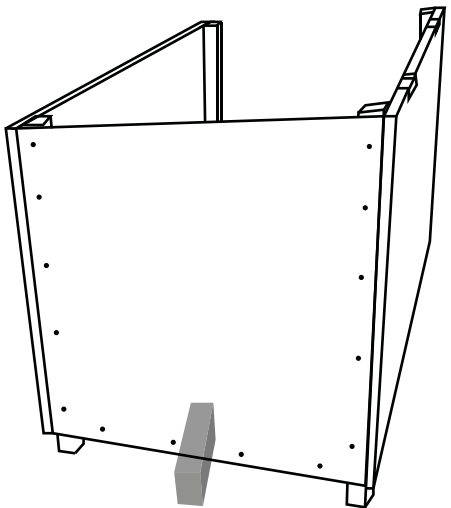
Step 2

Attach Front and Back Panels using (6) #8x 2" Phillips head screws at bottom of each panel. For best results start in the center of each panel and work outward.



Step 3

Rest side panel on block and attach using (14) #8x 2" Phillips head screws in each panel. Ensure engraved design is facing outward and top edge is aligned with front and back panels. Do the same for both panels.



Step 4

Install lid with hinges fitting in grooves on outside of back panel. Install (4) #14x 3/4" Phillips head screws into each hinge. Once both hinges are attached, open lid and attach chain to inside of both side panels using (1) #14x 3/4" Phillips head screw in each panel (fig. 4a).

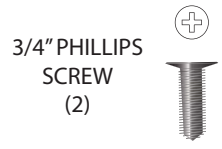
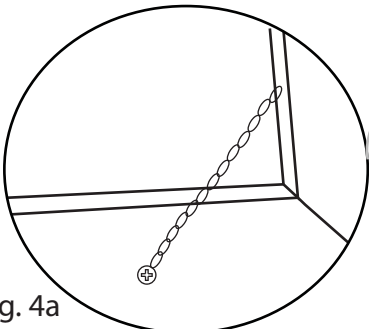
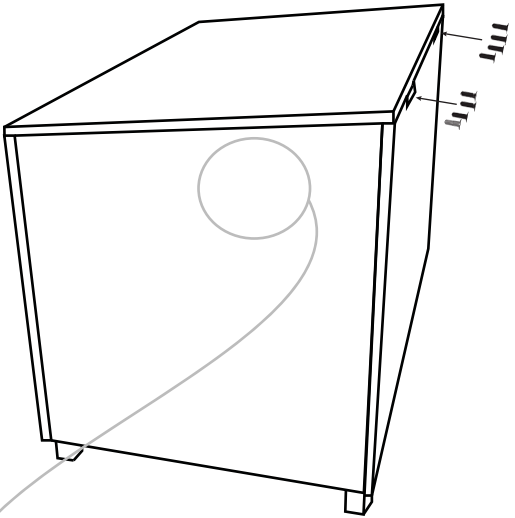
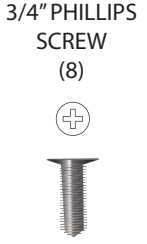


fig. 4a