



Adirondack Coffe Table #C423

MATERIALS

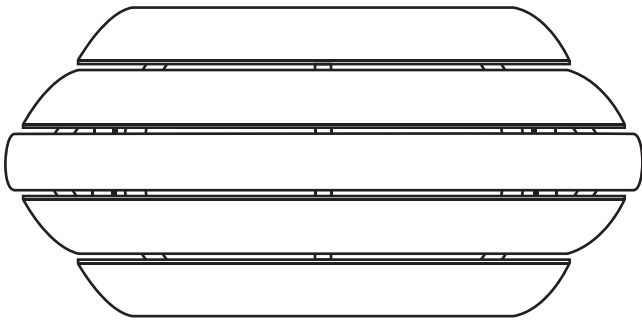
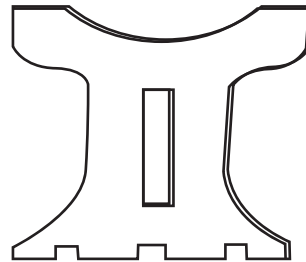
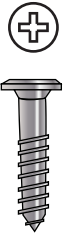


Table Top
(1)



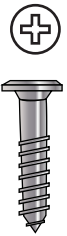
Legs
(2)



1 1/4"
Phillips Head
Screws
(4)

STEP 1

Attach the legs to bottom of table top as shown.



1 1/4"
Phillips Head
Screws
(4)

