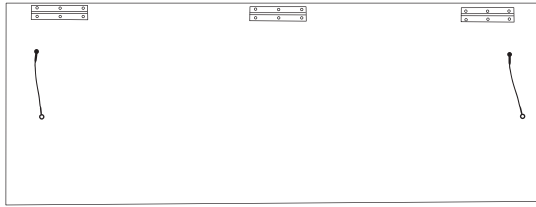
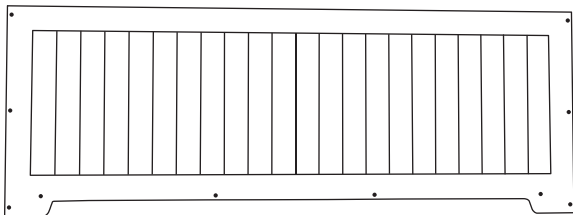


SYDNEY DECK BOX #C39548B

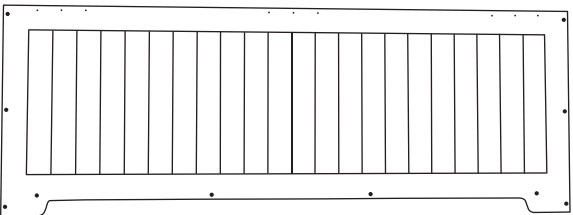
MATERIALS



LID
(1)



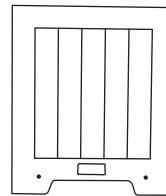
FRONT PANEL
(1)



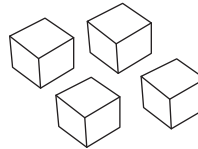
BACK PANEL
(1)



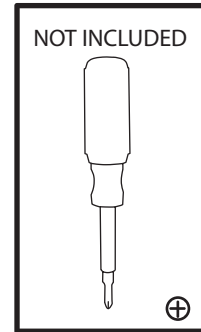
BOTTOM
(1)



SIDE PANEL
(2)



SPACERS
(4)



1/2" SCREW
(2)



5/8" SCREW
(9)

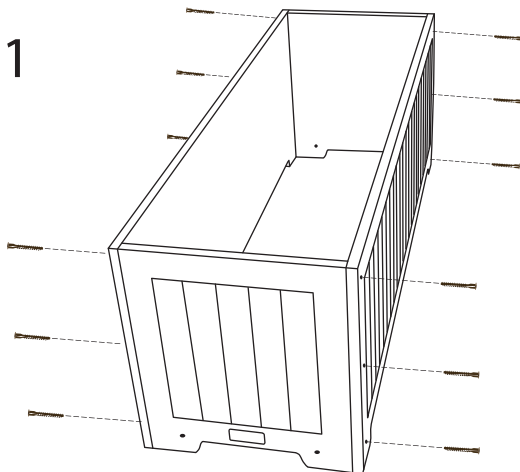


2" PHILLIPS
SCREW
(24)

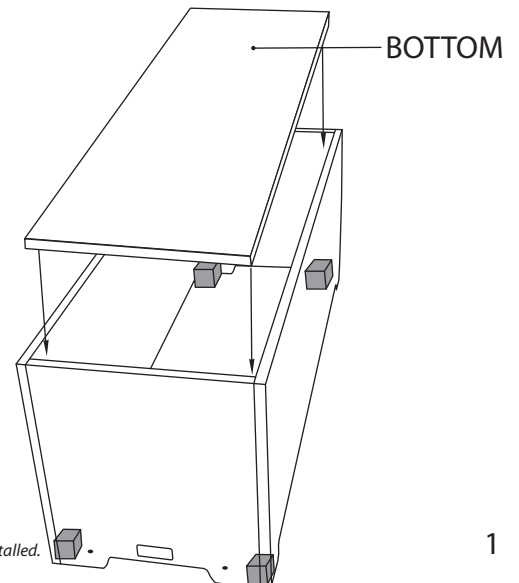


STEP 1

2" PHILLIPS
SCREW
(12)



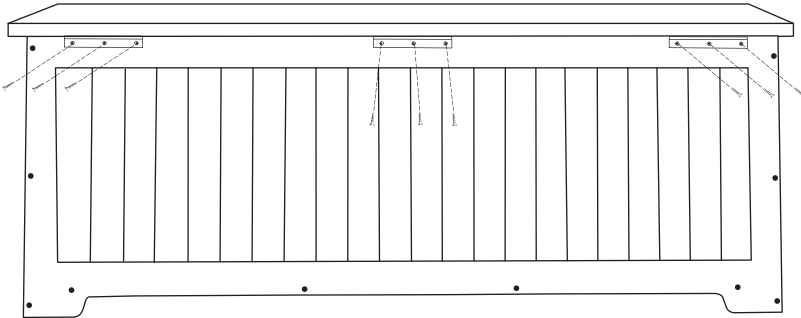
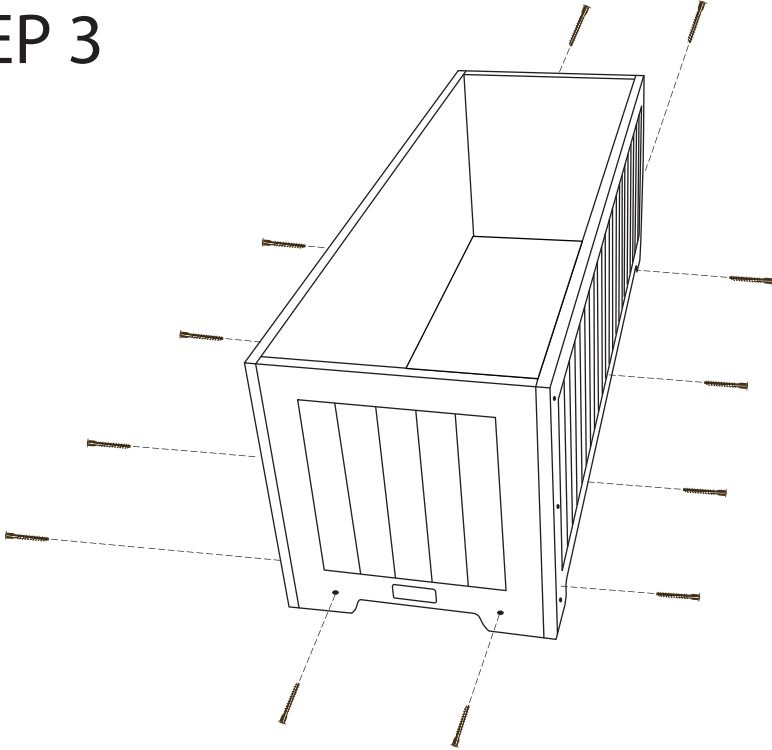
STEP 2



*Note: The blocks are used as spacers only and will be discarded after the Bottom is installed.

STEP 3

2" PHILLIPS
SCREW
(12)



STEP 4

5/8" SCREWS
(9)



STEP 5

1/2" SCREWS
(2)

