



C321 CAPTAINS CHAIR INSTRUCTIONS

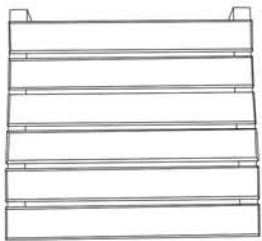
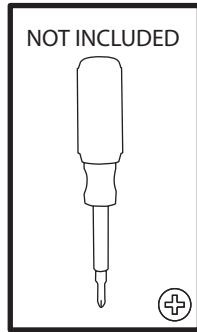
MATERIALS



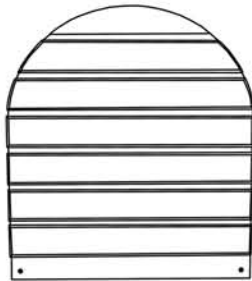
2 1/2" SCREW
(22)



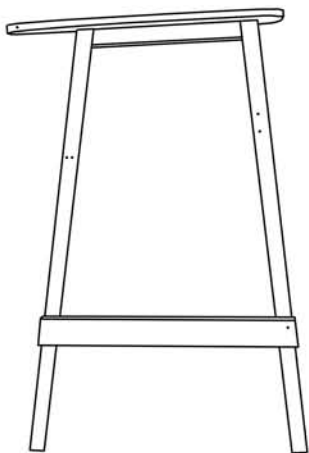
4" SCREW
(4)



SEAT
(1)



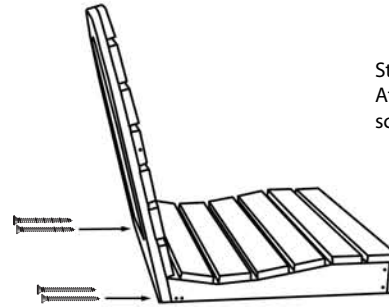
BACK REST
(1)



LEG
(2)

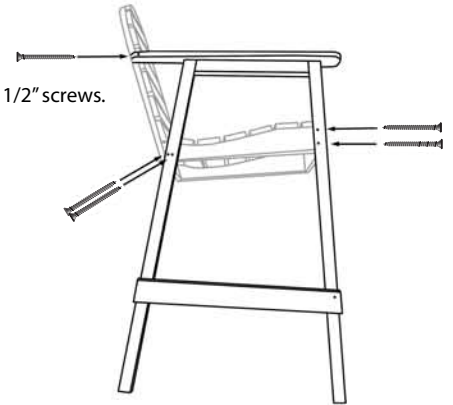


FRONT & BACK
SUPPORT
(2)



Step 1:
Attach the back rest to the seat using (4) 2 1/2" screws.

Step 2:
Attach each leg using a total of (10) 2 1/2" screws.



Step 3:
Attach the front and back supports using
(8) 2 1/2" screws.

Step 3:
Install (4) 4" screws into the sides of the front
brace.

